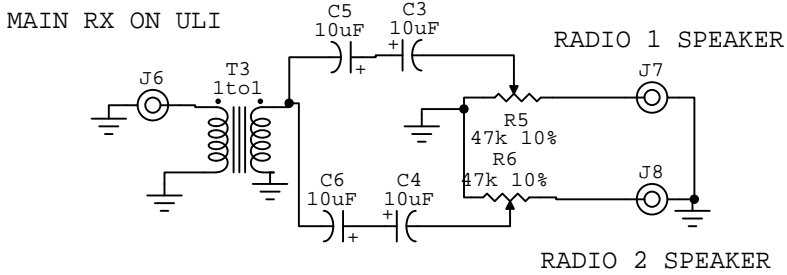
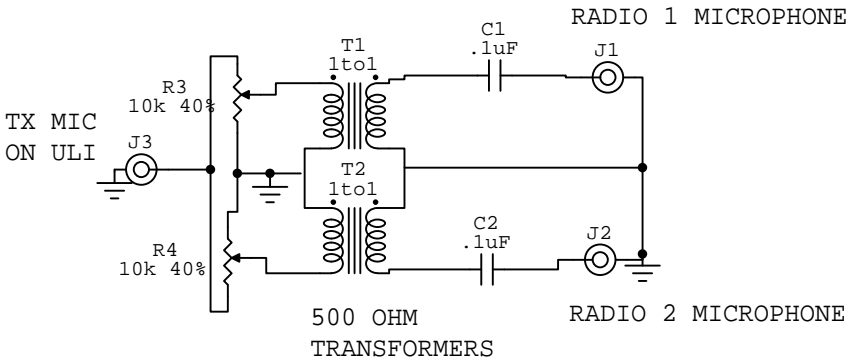
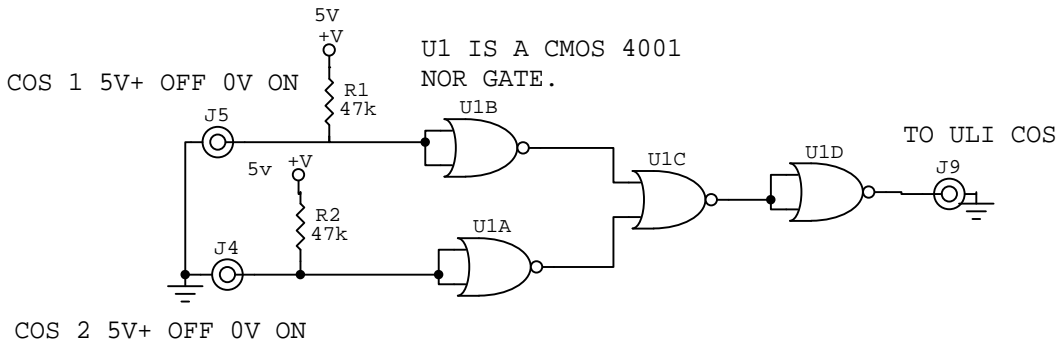


2 RADIO CONTROLLER FOR ULI



NOTE: U1 is found in cd4001, etc max 15 volts
5 volts is tapped from ULI unit.header 3 pin 1

Circuit created by:
K6PKL Bill K6pkl.com

COS is taken from inside radio. +5v on 0v off. When radio squelch circuit opens voltage goes +v. This can be found using a volt meter around squelch control.